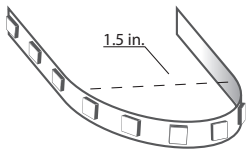


Before you begin, read all warnings and installation instructions thoroughly.

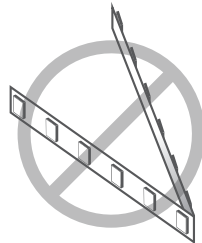
Safety & Warnings

- Install in accordance with the National Electric Code and local regulations.
- This product is intended to be installed and serviced by a qualified, licensed electrician.
- DO NOT connect tape directly to 120VAC power.
- To meet the tape light ETL Listing certification, tape light must be powered with a compatible Class 2 DC constant voltage LED driver (power supply).
- Each LED driver is unique and may require a proper load derating, dependent to the installed ambient temperature environment. Refer to each driver specification sheet for full power ratings & load deratings.
- Do not power tape light while attached to plastic spool or tightly coiled. Excess heat may melt the spool and/or cause damage to the tape.
- Do not install tape light in direct sunlight.
- Packaging label will indicate if the enclosed tape light model is approved for wet location installation. Do not submerge wet location tape in liquids. Do not install near chemically treated water or salt water.
- Ensure applicable wire is installed between driver, fixture, and any controls in between. When choosing wire, factor in voltage drop, amperage rating, and type (in-wall rated, wet location rated, etc.). Inadequate wire installation could overheat wires, and cause a fire.
- Tape light, attached wire leads, and additional extension cables, connectors, etc., are not rated for in-wall installation unless otherwise noted. Connectors have a Class 2 amp limit unless otherwise noted.
- Tape light must be handled with care. Excessive handling, bending, and pressure may damage the product, voiding the warranty.
- Each tape light has a different power consumption rating and maximum run length that must be individually wired to a compatible driver or low voltage (PWM) control. Refer to the tape light packaging label or specification sheet for further technical information.

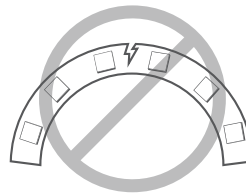
Tape Light Handling



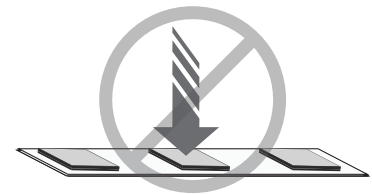
Do not bend LED tape light to a diameter less than 1.5 inches.



Do not fold or crease LED tape light.



Do not bend LED tape light on a horizontal plane.



Do not put excessive pressure on surface of tape light (e.g. glass/acrylic panes etc.).

Installation

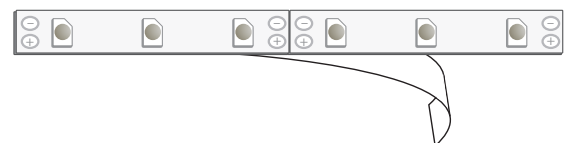
Prior to installation, ensure all components are a compatible system. Configure and pre-test your LED system prior to permanent installation to ensure all components are operating correctly. Install in accordance with the NEC and local regulations.

1. Turn power OFF at the main breaker before servicing or installing this product.
2. Determine a well-ventilated, accessible location for the driver. Ensure applicable wire is installed between driver, fixture and any controls between.
3. a. *Indoor Tape* - Prior to cutting tape light, determine the type of tape light connector being used for installation. Utilizing CLICKTIGHT™ Connectors requires specific cutting instructions for higher density tape. Refer to 'CLICKTIGHT Connectors' on page 2 for further information.
b. *Wet Location Tape* - Cut tape at the scissors icon and seal all exposed sections of tape with silicone sealant and end caps. See 'Mounting - Wet Location Tape Light' on page 2 for sealing instructions.
4. Mount tape to desired surface. See 'Mounting' on pages 1 & 2. Attach additional wiring and accessories to tape leads using applicable wire nuts, DC connectors, etc.
5. Harness all wires with a plastic cable staple/wire harness, starting 2-4 inches from tape and every 4 feet thereafter. This will ensure connections do not detach from tape from excess pressure.
6. Connect compatible drivers and lighting controls. See component installation guides for detailed wiring connections.
7. Review the full system. Ensure all polarities are correct and connections are secured.
8. Turn power ON at the main breaker. If system is not functioning properly, turn power OFF and see 'Troubleshooting.'

Mounting

Indoor Tape Light

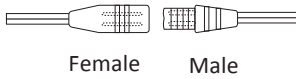
1. Install on a finished, smooth surface, away from direct sunlight. Clean surface and let dry.
2. If utilizing tape light connectors, see pages 2 & 3 prior to continuing. Remove adhesive paper from the tape light to expose 3M™ adhesive.
3. Adhere tape to surface, working one end to the other to prevent air pockets and raised sections. Utilize a clean rag between skin and tape to resist oil transfer from skin to LEDs. Continue following the remaining installation instructions.



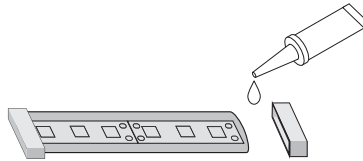
Mounting

Wet Location Tape Light

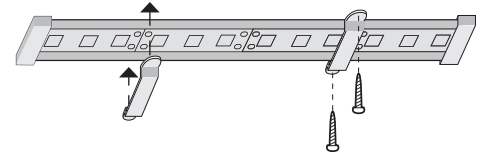
Wet location tape includes mounting clips and hardware to harness tape light to a desired surface. Wet location splice connectors and end caps are also included. Utilize male and female wet location connectors to connect various cut lengths in series. Ensure not to exceed the maximum run limit of the tape light. Do not submerge wet location tape in liquids. Do not install near chemically treated water or salt water. Do not install in direct sunlight.



Utilize female and male wet location connectors to attach cut sections of wet location tape in series.



All cut points must be sealed with silicone adhesive (not included), and wet location end caps.



Mount with included mounting clips and screws. Silicone adhesive can also be utilized to mount tape to surfaces.

CLICKTIGHT™ Connectors

Cutting Tape Light

Utilizing CLICKTIGHT connectors requires specific cutting instructions for high density solid color tape light to achieve a proper connection. See options A or B (does not apply to RGB tape light). Never cut tape attached to a live circuit. DO NOT solder CLICKTIGHT connectors to tape light.

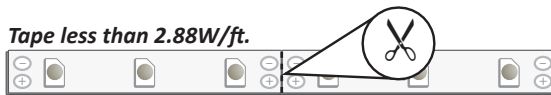


OR



Cutting tape light densities lower than 2.88W/ft.:

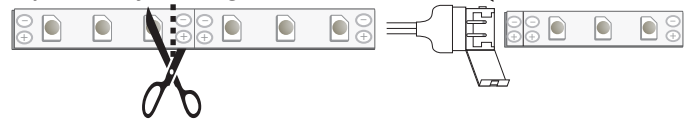
Cut the tape at the cut line indicated with the scissors icon.



Cutting tape light densities higher than 2.88W/ft.:

DO NOT cut at the scissors icon. Instead, cut the tape along the outside edge of the LED chip closest to the scissors icon so four contact/solder points remain intact to the tape. This will ensure the latch of the CLICKTIGHT connector closes properly.

Tape 2.88W/ft. and higher

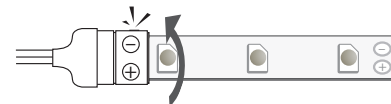


Attaching CLICKTIGHT Connectors

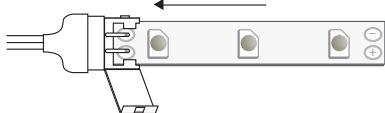
1. Open the CLICKTIGHT latch and note the +/- polarity markings.



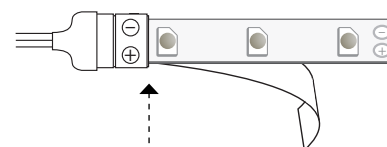
3. Close the CLICKTIGHT latch to ensure connection.



2. Firmly insert the tape light into the connector tray with the 3M adhesive backing still intact to the tape. Ensure the contact/solder points of the tape are directly underneath the metal placement tabs of the connector. *CLICKTIGHT connectors have a Class 2 amperage limit.



4. When ready for mounting, peel off the 3M adhesive backing of the tape and tear off along the connector tray edge.

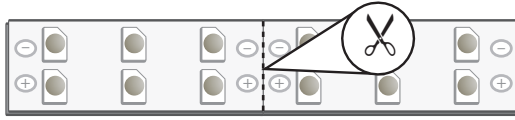


*All CLICKTIGHT accessories have a Class 2 amperage limit: 60W/5A @ 12VDC; 96W/4A @ 24VDC. CLICKTIGHT connectors are not compatible with wet location tape light. See 'Troubleshooting' for tape light connector issues.

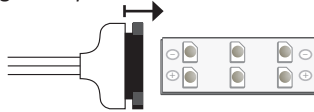
Double LED Tape Light & Tray Connectors

These instructions apply only to Double LED Tray Connectors. Never cut tape attached to a live circuit.

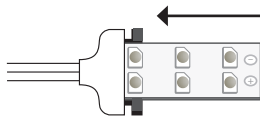
1. Cut the tape at the line indicated with the scissors icon.



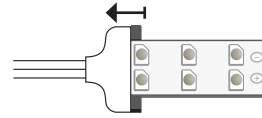
2. Gently pull out the black tab 1-2mm. Note the +/- polarity markings of the tape light. *Tape connectors have a Class 2 amperage limit.



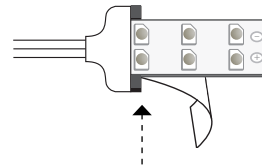
3. Firmly insert the tape light into the connector tray with the 3M adhesive backing still intact to the tape. Ensure the contact/solder points of the tape are completely covered by the contact sheath.



4. Squeeze the connector tray firmly with fingers or pliers to ensure connection.



5. When ready for mounting, peel off the 3M adhesive backing of the tape and tear off along the connector tray edge.

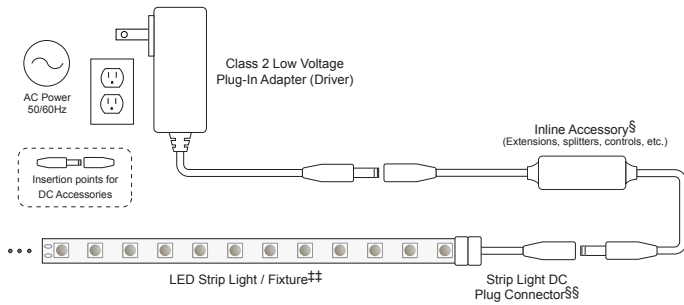


*All tape light connector accessories have a Class 2 amperage limit: 60W/5A @ 12VDC; 96W/4A @ 24VDC. See 'Troubleshooting' for tape light connector issues.

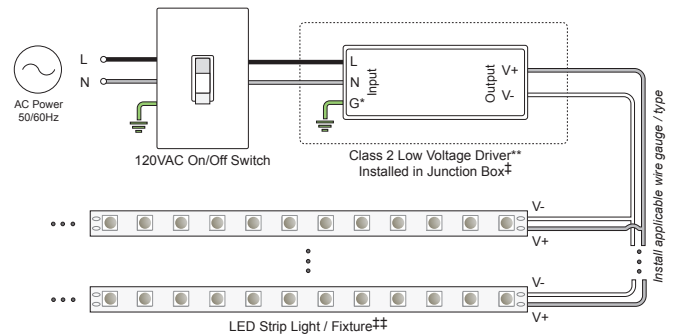
System Diagrams

The following diagrams are provided as example system designs. For information regarding larger systems or systems not pictured below, please see our web page or contact technical support. Always review each component installation guide for detailed and up-to-date wiring instructions. Install in accordance with NEC and local regulations.

Plug-in-Adapter System



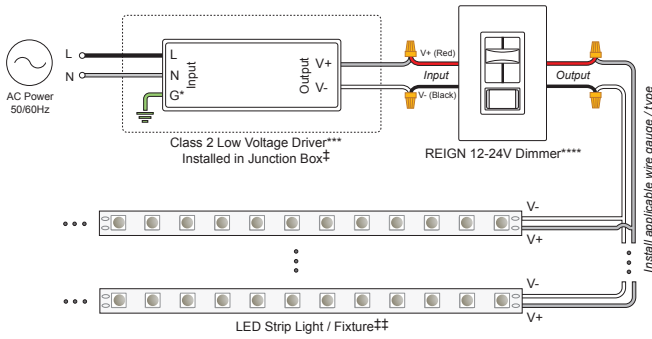
Traditional ON/OFF Switch System



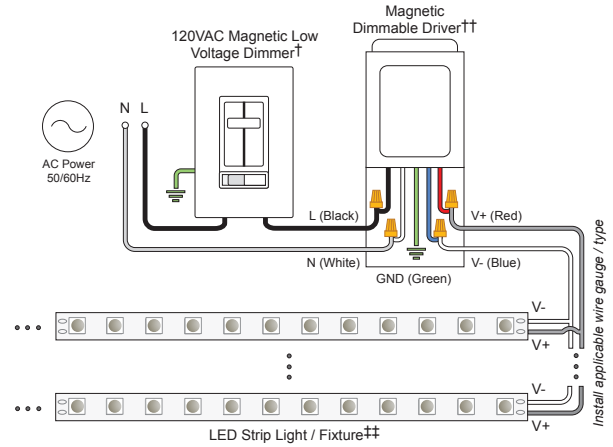
See next page for additional system diagrams.

System Diagrams Continued...

REIGN™ 12-24V Dimmer System



Magnetic Dimmable Driver System



System Diagram Technical Notes

- * Driver may not require a fault ground connection. Refer to driver specifications for additional information.
- ** Install a compatible Class 2 constant voltage driver. Refer to each driver specification sheet for full power ratings & load deratings.
- *** Install a Class 2 constant voltage driver compatible with a low voltage PWM controller/dimmer switch. Refer to each driver specification sheet for full power ratings & load deratings.
- **** Determine the number of low voltage outputs of the driver when installing multiple PWM controllers/dimmer switches. No more than one PWM controller/dimmer switch can be attached to a single output of the driver.
- † Install a compatible magnetic low voltage dimmer switch. See the MFG installation guide for complete wiring instructions.

- †† Dimmable drivers may require a compatible magnetic low voltage dimmer switch to supply the driver and fixture with appropriate input voltage. Do not test or install directly connected to an AC power source or to an On/Off switch. Refer to each driver specification sheet for full power ratings & load deratings. See spec sheet for potential updated information. See dimmer switch manufacturer specifications for minimum load recommendations.
- ‡ Refer to driver or controller specifications for a compatible junction box.
- ‡‡ See fixture specifications for maximum series run limits.
- § See in-line accessories specifications for maximum amperage ratings.
- §§ See fixture accessories for a compatible adapter connector.

Troubleshooting

Prior to troubleshooting, ensure all items are a compatible system and main power is turned ON.

Shift in brightness

Review maximum series run limits. Exceeding these limits will cause excess voltage drop, decreasing brightness as the run is extended.

Some LEDs are not functional

Ensure all connections have been properly attached. Ensure fixture has not been bent excessively, which may cause components and solder to detach from the circuit board.

Lights are flickering

For dimmable installs, see the dimmable driver or REIGN dimmer troubleshooting guides. If lights continue to flicker, check for loose connections. Ensure tape light connectors are properly attached.

Lights are turning on/off repeatedly

Ensure driver is not overloaded. An overloaded driver will trip the internal auto-reset (of driver) repeatedly, turning the system on/off.

CLICKTIGHT Connector Troubleshooting

- Ensure compatible CLICKTIGHT models are attached. Tape lights vary in width and require specific connectors. Contact your supplier for additional information.
- Tape light is polarity sensitive. Ensure the +/- markings of the CLICKTIGHT connector is aligned with the +/- markings of the tape. If polarity is backwards, reverse the lead wire connection or detach tape from CLICKTIGHT connector and reattach opposing end of tape to connector.
- If connection is not secure, pull tape out from the CLICKTIGHT connector and trim any excess tape so the outer edges of contact/solder points are flush with the end of the tape (see below). Insert trimmed end back into CLICKTIGHT connector with the 3M adhesive backing still in tact to tape.



Rev 2.2, 1/7/13

For additional troubleshooting information see the individual component installation guides. For additional questions and concerns regarding installation, contact technical support. Please have all product part numbers on hand for fast and efficient technical assistance.