



ATG Electronics® QColor™ 310-FS RGB Mini Controllers

USER GUIDE

Part Number HCD-00310-000000-FS



NOTE:

This user guide is to explain the steps necessary to use the specified and assure peak performance. Its intended use is for reference only, by a fully qualified electrician or technician. This document should never be considered a substitute for any provision of a regulation or state and/or local code.

Please read this entire manual to fully understand and safely use this product.

Specifications are subject to change without notice. Please visit www.atgelectronics.com for most recent user guide versions.

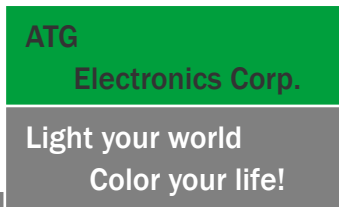
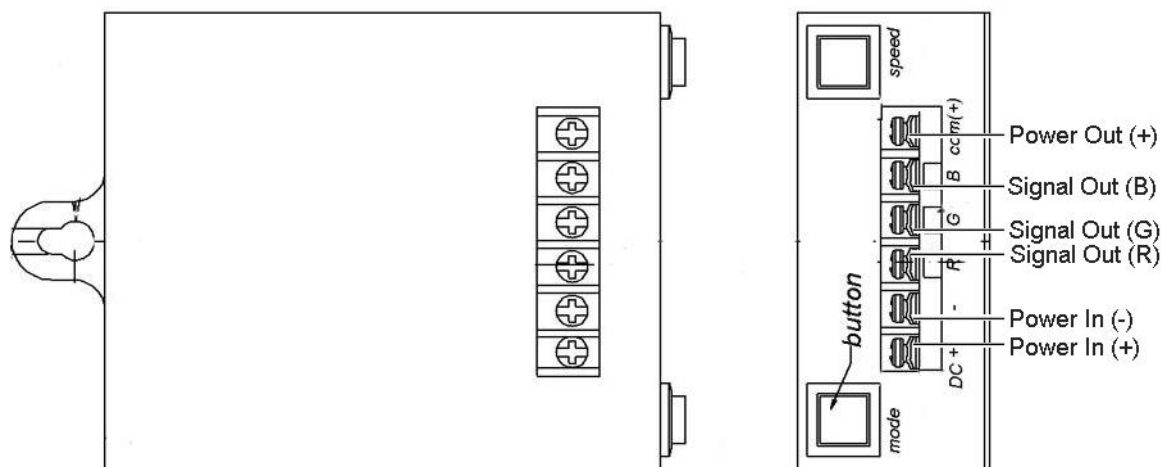
GETTING STARTED

QColor™ 310-FS RGB Mini Controller is an economy yet intelligent controller for driving low-voltage RGB products, such as iSignage™ 36T, iLinear™ R60T, eCove™ T30T/ WP27T, oSignage™ WP6T.

QColor™ 310-FS is a compact yet powerful hardware controller that stores and plays about 30 different pre-programmed color patterns. How easy it is to operate! Just press button “MODE” (right) to choose the desired color pattern and press button “SPEED” (left) to set the changing speed of the pattern accordingly.

This guide contains important information about installing and operating your new QColor™ 310-FS safely and accurately.

Physical Dimensions



Included in this Box

QColor™ 310-FS RGB Mini Controller, 1 PCs
User Guide, 1 Set

Unpacking

- 1) Unpack and carefully examine the product.
- 2) Report any damage and save all packing materials if any part is damaged during transport.
- 3) Do not attempt to use this apparatus if it is damaged.

Warnings

- 1) Risk of electric shock. Ensure that the power supply is off when wiring or soldering the sections of the device.
- 2) The device shall be installed and operated by a qualified electrician or technician in accordance relevant local codes.

Precautions

- 1) Please avoid installing the device in lightening, intense magnetic and high-voltage fields.
- 2) The device should be installed indoors. Otherwise, please arrange rain shielding.
- 3) Make sure the wires are connected correctly and avoid short cut and burnt out the fuse.

User Responsibilities

The responsibility of complying with all state and local laws, ordinances, and regulations in regards to the installation, maintenance, and operation of the device lies with the buyer and handler of the device. These parties may include, but are not limited to the contractor, installer, purchaser, owner, and user of the product.

Note:

The instructions and precautions set forth in this user guide are not necessarily all-inclusive, all conceivable, or relevant to all applications as ATG Electronics cannot anticipate all conceivable or unique situations.

PLANNING THE INSTALLATION

This device installation requires planning to ensure timely, successful installation with minimal complications and down time.

Planning Suggestions

Consult an Electrical Inspector to review all wiring plans.
Create a Layout Plan drawing, per a Lighting Designer's or Architect's recommendation.
Consult ATG Electronics Application Engineering Services as needed.

Installation Considerations

When creating your installation plan, consider the following:

- 1) Location of the controller
ATG Electronics recommends that the controller is placed in dry environment.

2) Selection of soldering tools

Ensure that the tool selected is appropriate for the soldering surface.

3) Maximum Driving Quantity

Product	Driving Quantity per series-wound (Max.)	Total Driving Quantity (Max.)	Output Power of Power Supply (Min.)
iLinear™ R60T RGB LED Ribbon Strips	1 roll	4 roll	200W
iSignage™ 36T RGB LED Flex Strips	15 pcs	60 pcs	200W
eCove™ WP27T RGB LED Rigid Strips	20 pcs	80 pcs	200W
eCove™ T30T RGB LED Rigid Strips (24VDC)	10 pcs	50 pcs	400W
oSignage™ WP6T RGB LED Modules	60 pcs	240 pcs	200W

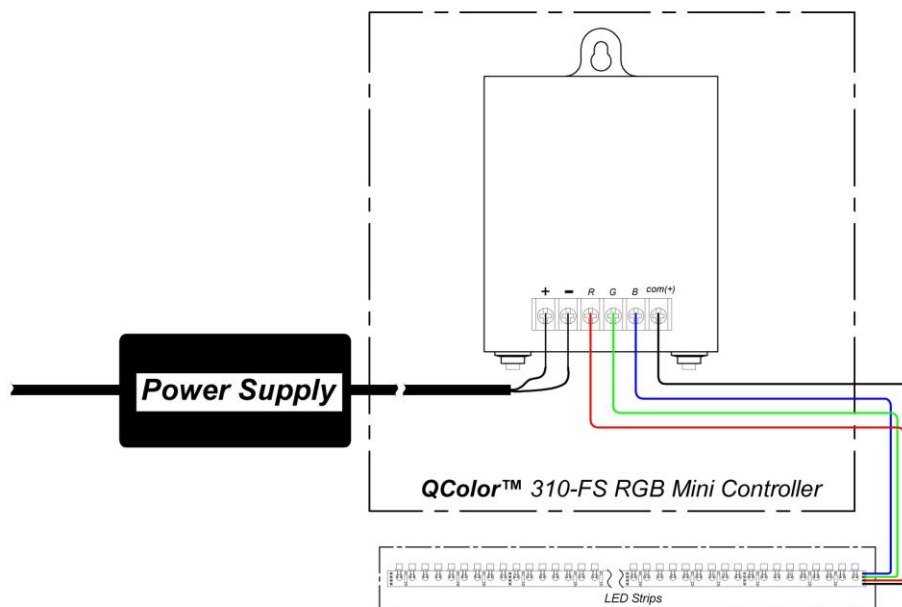
If you need drive more than above length, QColor™ 310-PE Signal Amplifier(s) is needed.

Installation Steps

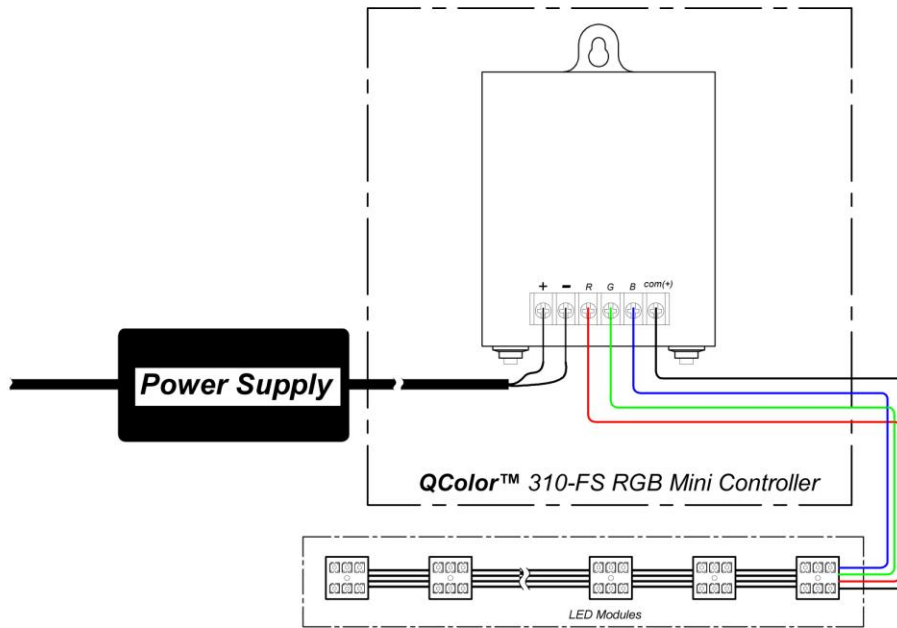
- 1) Make sure power is switched off before wiring or installation.
- 2) Connect RGB fixtures via singal cables onto the correct ports on the controller; make sure red wire is connected to “RED” port, blue wire to “BLUE” port, green wire to “GREEN” port and black (or white) wire to the “COM+” port.
- 3) Connect power supply to the input port of the controller; make sure the positive wire is connected to “DC+” port and negative wire to “DC-“ port.
- 4) Plug power supply into power outlet to switch on the controller.
- 5) Choose the desired color pattern, and set changing speed etc by pressing “Mode” and “Speed” button on the controller.

Wiring Diagram

1. LED Strips:

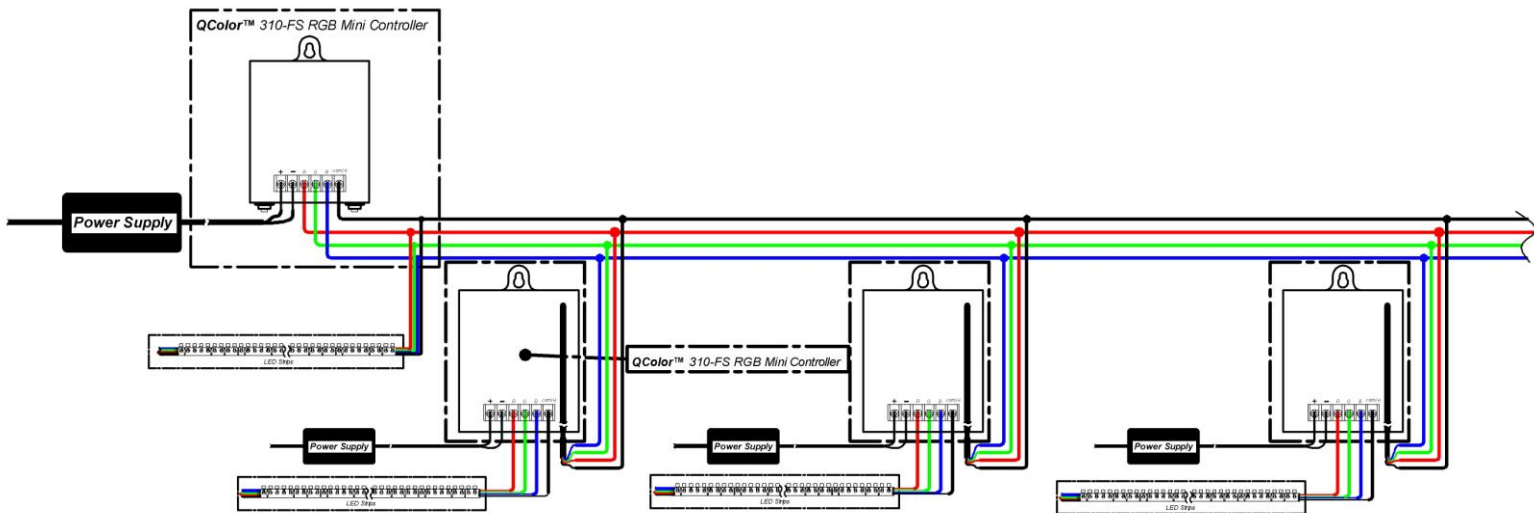


2. LED Modules:

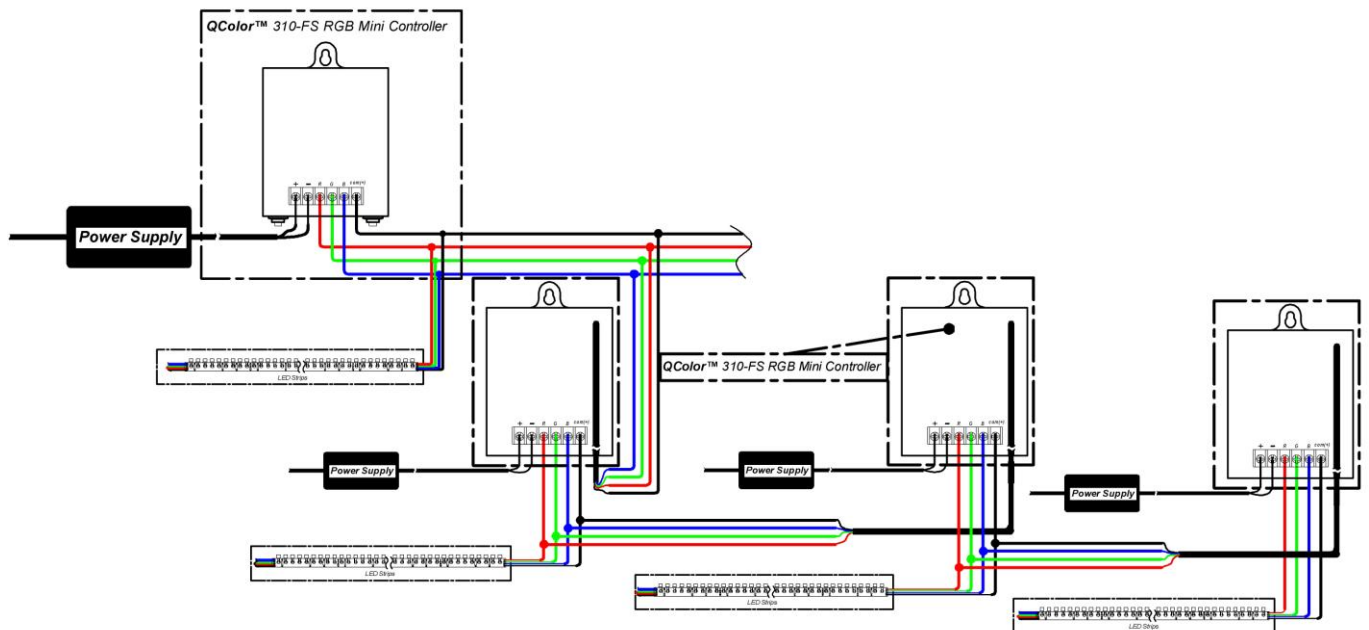


QColor™ 310-FS RGB Mini Controller is compatible with QColor™ 310-PE Signal Amplifier. You can choose one of the three connecting methods, when quantity of RGB products, like strips, modules etc, need to work together, from below wiring diagrams. (Here we only illustrate LED Strips as example)

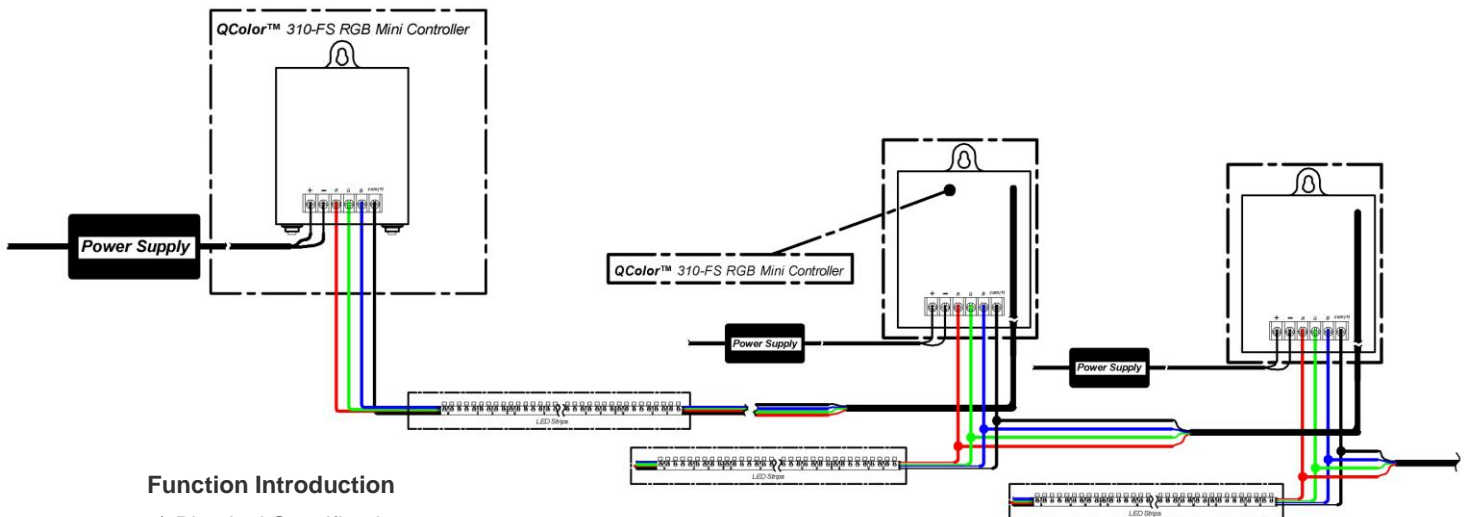
1st Connecting Method:



2nd Connecting Method:



3rd Connecting Method:



Function Introduction

1) Physical Specifications

Dimension: L175*W75*H44 mm (L6.89*W2.95*H1.73 inch)

Weight: 250g

Working Environment: dry environment

Buttons: MODE and SPEED

2) Electrical Specifications

Input Voltage: 12VDC or 24VDC

Output Load Current: 6A per line, 3 lines

Output Power: 200W(12VDC), 400W(24VDC)

Operation Temperature: -10°C~50°C (14°F~122°F)

3) Function of Buttons

MODE: Select the preferred pre-programmed color pattern.

SPEED: Select the desired changing speed of the pattern.

4) Button "MODE" Introduction

Serial NO.	Instruction
1	Static black
2	Static red
3	Static green
4	Static blue
5	Static yellow
6	Static purple
7	Static cyan
8	Static white
9	7 colors jumping
10	3 colors jumping
11	RG jumping
12	RB jumping
13	GB jumping
14	RGB flicker
15	7 colors gradual change
16	3 colors gradual change
17	RG gradual change
18	RB gradual change
19	GB gradual change
20	7 colors fade in/ fade down
21	3 colors fade in/ fade down
22	RG fade in /fade down
23	RB fade in /fade down
24	GB fade in /fade down
25	RR fade in /fade down
26	GG fade in /fade down
27	BB fade in /fade down
28	RGB fade in /fade down

QUALITY WARRANTY

This product is sold pursuant to ATG Electronics Standard Terms and Conditions which can be found at www.atgelectronics.com/warranty and which contain important provisions, including, among others, the Quality Warranty, exclusions and limitations on ATG Electronics liability for damages, and restrictions on available remedial actions.

For any after-sales assistance, please contact our Customer Service Team at service@atgelectronics.com. All your concerns and requests will be handled within 12 hours.

628 Zhangyang Road, Suite 1-21B
 Shanghai 200122, CHINA
www.atgelectronics.com
 E-mail: sales@atgelectronics.com
 Phone: +86-21-58350166
 Fax: +86-21-58351977

