

FL50 LED Fiberoptic Illuminator

JOB NAME

TYPE

SPECIFICATIONS

ELECTRICAL

Input Voltage: 24 V DC
 Input Current: 2.08 A MAX
 Power Rating: 50 W

OPERATING ENVIRONMENT

Ingress Protection: IP20
 Exposure: Dry location
 Operating Temperature: 0° to 40°C
 Storage Temperature: -40° to 70°C
 Airflow: 13 cfm
 Acoustic Noise: 13.8 dBA

MECHANICAL

Material/Finish: Black aluminum
 Weight: 1.25 lbs.
 Dimensions: 5.9" x 2.6" x 3.0"
 DC input cord length: 6ft

MOUNTING

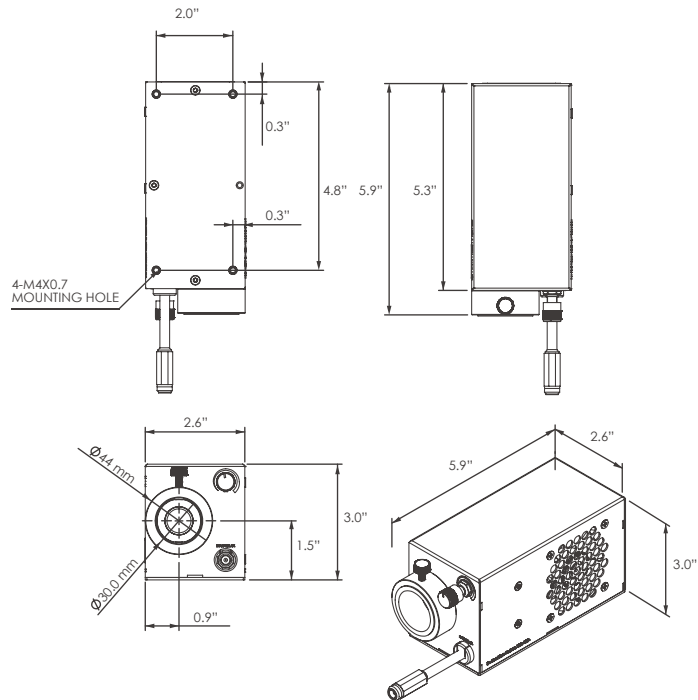
Suitable for surface and undercabinet mounting
 OK to mount in any orientation
 Best orientation is with exhaust vent facing up
 Keep vents free from obstruction



OPTICAL PERFORMANCE

Device Color	Port Lumens*	Minimum CRI
2700K White	1170lm	90
3000K White	1170lm	90
4200K White	1300lm	90
4400K White	1300lm	90
5000K White	1300lm	85
6500K White	1480lm	75

*Typical value at 25°C ambient



ORDERING GUIDE

FL50	Device Color	Dimming	Fiber Port Size	Homogenizer	PSU
2700	2700K White	M Manual knob	30 30mm	N No Homogenizer	
3000	3000K White	V 0-10V Analog	33 33mm	H With homogenizer	
4200	4200K White				
4400	4400K White				
5000	5000K White				
6500	6500K White				

FIBER CAPACITY: Using 0.75mm Diameter Fiber: 700 fibers max in 30mm Fiber Port, 1000 fibers max in 33mm Fiber Port. Large Core outer diameter: 30mm for 30mm Fiber Port, 33mm for 33mm Fiber Port. Accessories offered for common end diameters less than 30mm and 33mm: ACS30-xx and ACS33-xx. **HOMOGENIZER:** Homogenizer is suggested when using stranded fiber to ensure each strand is illuminated equally in intensity and color. **PSU INFORMATION:** Reference FiberLamp.com for PSU information.

Example: FL50-2700-M-30-N-PSU