

LEI SERIES LIGHT ENGINE

INSTRUCTION MENU

Welcome to use LEI series professional DMX intelligent light engine. Please read carefully the instruction menu before using light engine. If you have any questions concerning the operation or maintains, please contact your wholesaler.

A. Safety Instruction

1. Make sure the Light Engine and Power Source have the same voltage;
2. Keep out of rain or moist area to avoid shock hazards;
3. Avoid to use at high temperature ($\leq 40^{\circ}\text{C}$);
4. There is overtemperature protection inside the light engine, when the ambient temperature is too high or insufficient ventilation, LED will reduce brightness itself to improve life of itself.

B. Technical Data

Model:	<input type="checkbox"/> LEI-4001DMX	<input type="checkbox"/> LEI-8001DMX
Voltage:	<input type="checkbox"/> 110V	<input type="checkbox"/> 220V
Power:	<input type="checkbox"/> 50W	<input type="checkbox"/> 100W
Color:	6colors	
Light Source:	<input type="checkbox"/> 1-40W LED	<input type="checkbox"/> 1-80W LED
Luminous Flux:	<input type="checkbox"/> 1900Lm	<input type="checkbox"/> 4300Lm(700mA, white light)
Life of LED:	50000H	
Standard aperture:	$\Phi 28\text{mm}/\Phi 24\text{mm}/\Phi 20\text{mm}$ (Optional: $\Phi 30\text{mm}$)	
Size:	270 264 135mm ³	
Gross Weight:	6.9Kg	

C. Installation

1. Installation of the fiber optic:

(1) Solid Core fiber optic(See Fig. 1):

- * Cut the fiber to the specified length. The cutting face should be vertical to the fiber and keep clean on the cutting side.
- * Peel off 50-60mm of the PVC protection cover of the fiber optic (if no PVC protection cover, no need to peel off any fiber optic), be careful not to hurt the fiber optic itself.
- * Unscrew PG Connector, insert the fiber optic into the Fixing Flange and Fiber Connector, until it closely adherence to the Fiber Connector then screw tight PG Connector.
- * Push gently the Fixing Flange and the Fiber into the Fixing- Ring, then screw down the screw.

(2) Multi-string fiber optic(See Fig. 1):

- * Cut 100mm PVC protection cover before connecting the fiber with Light Engine. Please take care not to hurt the fiber optic.
- * Collect all fibers in one bundle, enlace all the fiber at the 10cm from fiber end with 130°C heat-resistant tape. insert the fiber optic into the PG connector and Fiber Connector, until it closely adherence to the Fiber Connector, cut the surface neatly with hot knife .
- * Push gently the Fixing Flange and the Fiber into the Fixing Ring, screw down the screw.

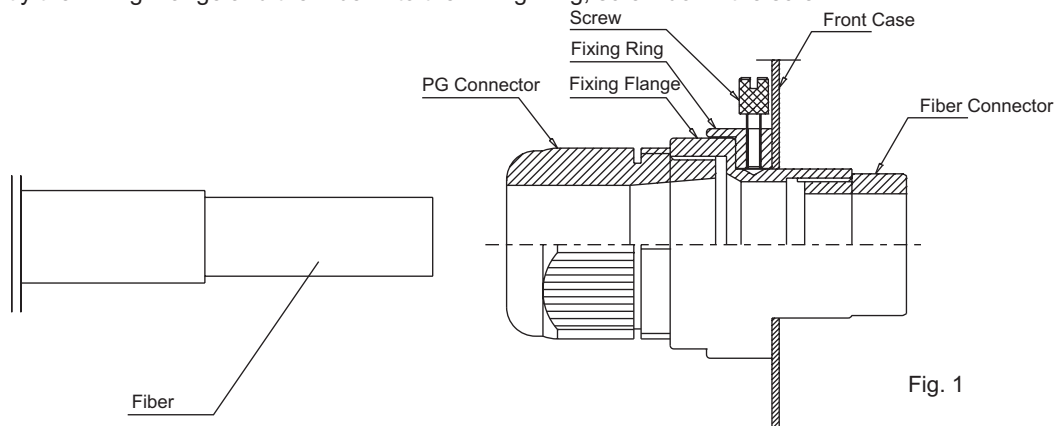


Fig. 1

NOTE: Please make sure that the fiber's diameter is compatible to the fiber connector, it will fuse fiber if the diameter of fiber connector is too big. Assure the surface is vertical to the fiber, clean, smooth, to avoid decrease of the brightness or melt of the fiber string.

2. Installation dimension of light engine(see Fig.2):

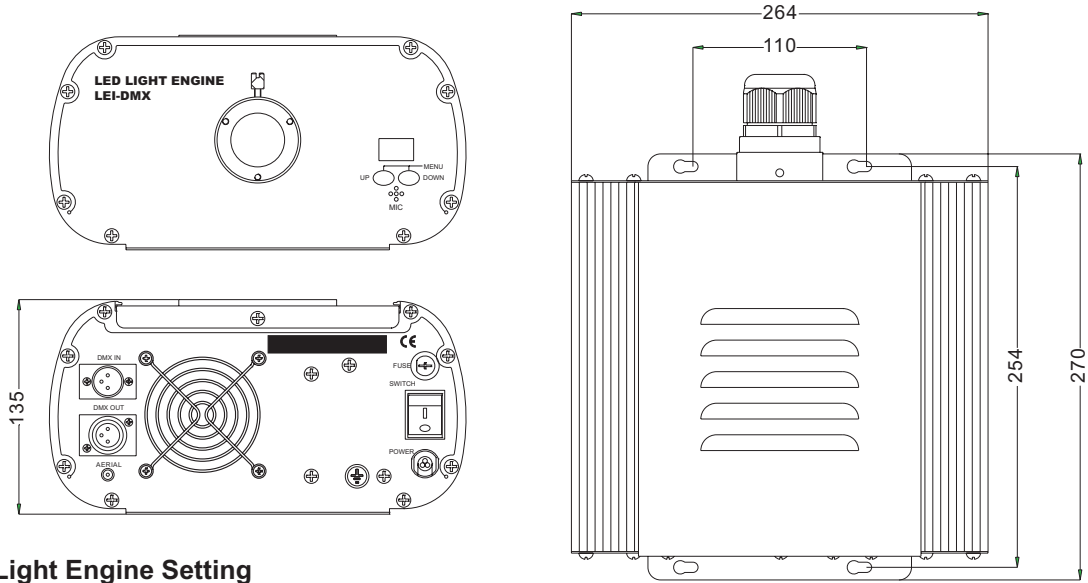


Fig.2

D. Light Engine Setting

There are three control system for LEI-Series MASTER/SLAVE Light Engine:

- * DMX 512 signal control Mode: Signal comes out from DMX 512 Controller.
- * Master/Slave Mode: One Light Engine set as Master , while all the others set as Slave. Signal comes out from the Master machine to control all other slave machines running synchronously.
- * Audio Control Mode: Light engines are controlled by sound.

1.DMX 512 signal control mode:

(1) Address Setting:

Press button “UP” and “DOWN” at the same time(maybe many times),until the digital display shows “001”-“508”, then press button “UP or “DOWN to select address.

(2) DMX Channels: Total 5 Channels

- CH1:Color CH2:Speed
- CH3:Blank CH4:Dimmer (256 level)
- CH5:Strobe

Notice: CH2 control the switching speed of color, CH3 is spare channel.

2. Master/Slave mode:The setting of Master/Slave

STATUS	No.	MENU	DESCRIPTION OF FUNCTIONS	REMARKS
MASTER	1	P.00-P.11	12 preset programs(see attached list,when it display “PS.X”, please use UP/DOWN to get into this menu)	1.Press two buttons at the same time to switch among menus.
	2	PS.1-PS.2	PS.1-PS.2 are audio control programs (when it display “P.XX”,please use UP/DOWN to get into this menu)	
	3	S.00-S.07	setting of color wheel speed,total 8 levels:1/2RPM,1RPM,2RPM,3RPM,4RPM,5RPM,8RPM,12RPM	2.If you haven’t pressed the buttons for long time,the digital display will be turnoff, and the buttons will be locked, press “UP” or “DOWN” to restart buttons operation (when power it on, you also need to do like this),it will display the last operation menu.
	4	d.00-d.99.	Adjusting of brightness,total 8 levels:d.00,d.10,d.20,d.35,d.50,d.70,d.85,d.99.(d.99.means100%brightness)	
	5	r.on-r.oF	r.on=remote controllible, r.oF=not remote controllible	
Slave DMXReceiver	6	001-508	DMX address,“001”-“508”are available	3.If slaves have received the DMX signal,then the 3rd digital number of the digital screen will be flickering.

Notice:

- ① If you need Master/Slaves change color synchronously, please set all of slaves into”001”;
- ② If you need Master/Slaves chase to change color, please set slaves into “006”,”011” and so on (add “5” one after another) .

3.The connection of DMX Signal Control Mode(See Fig. 3):

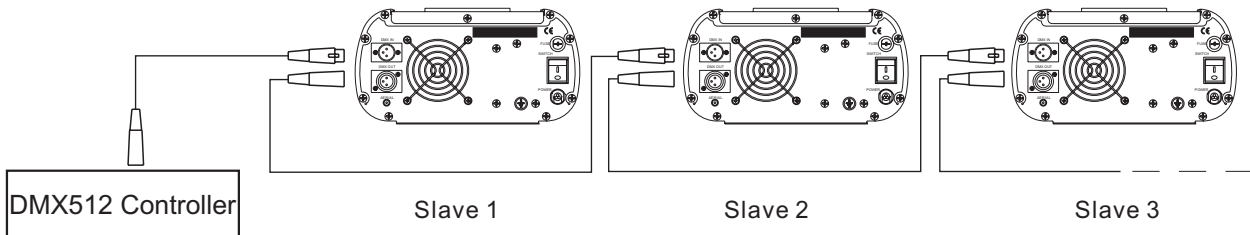


Fig.3

4.The connection of Master/Slave Control Mode(See Fig. 4):

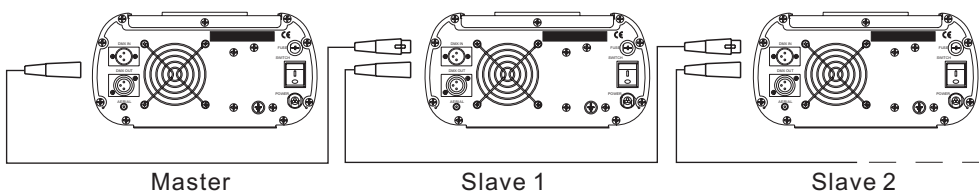


Fig.4

5.Signal wire and connector link(See Fig.5):

Signal wire should be 2 0.5mm² audio wire

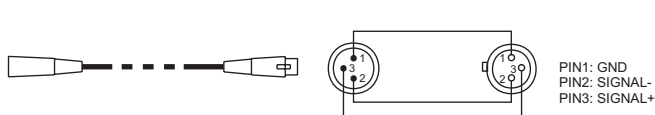
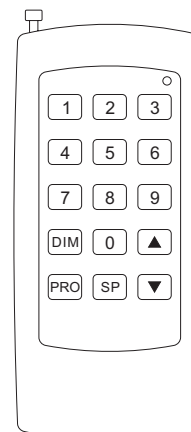


Fig.5

6.Wireless remote controller using(See Fig.6):

Press two buttons at the same time, when it display “r.on” or “r.oF”, please use “UP”/“DOWN” to set the master into “r.on”(status of remote controllible), then you can use remote controller.

- (1) Select of program: Press“PRO”,then use “00”-“13” to select the suitable program,or you can use “▲”,“▼” to select.
- (2) Adjusting of brightness: Press “DIM”, then press “0”-“7” to select the suitable brightness,or you can use “▲”,“▼” to adjust.
- (3) Adjusting of speed: Press“SP”,then press “0”-“7” to adjust the speed, or you can use “▲”,“▼” to adjust.



RC-03
Wireless Remote Controller

Notice: ① Address code of slaves are not adjustable under remote control status.

② When you are selecting program, only double-digit numbers are recognizable (e.g. 00, 01, 02...)

Fig.6

Attached List :

Pro. No.	Function	Pro. No.	Function	Pro. No.	Function
P.00	No Light	P.06	Red	PS.1	6 colors skip & audio control
P.01	White	P.07	6 colors skip	PS.2	5 colors skip & audio control
P.02	Sky-B	P.08	5 colors skip		
P.03	Green	P.09	6 colors fade		
P.04	Yellow	P.10	6 colors skip & chase		
P.05	Blue	P.11	6 colors fade & chase		